



KRENDL

The Innovator in Insulation Equipment

Hose Reels

ANY JOB. ANY SIZE. ANY PLACE.

Hose Reels are designed to save set-up time to increase productivity while extending the life of the hose. Available in multiple sizes and as a floor or wall mounted reel.

Dimensions

Part

328	36"D x 23"W
ST328	36"D x 28"W
KS333-A	90"D x 19W x 92"H
349-A	90"D x 13"W x 92"H
ST329	44"D x 28"W
329-ASSY	48.5"D x 54"W x 57"H

Hose Sizes

Part

328	36" Dia. (FM - holds 150ft of 3" hose)
329-ASSY	54" Dia. (FM - holds 125ft of 6" and 50ft of 4" or 150ft of 6" hose)
ST328	36" Dia. (WM - holds 150ft of 3" hose)
ST329	44" Dia. (WM - holds 150ft of 4" hose)
KS333-A	90" Dia. (WM - holds 150ft of 3" & 150ft of 4")
349-A	90" Dia. (WM - holds 200ft of 4", 3.5" or 3" hose)



349-A



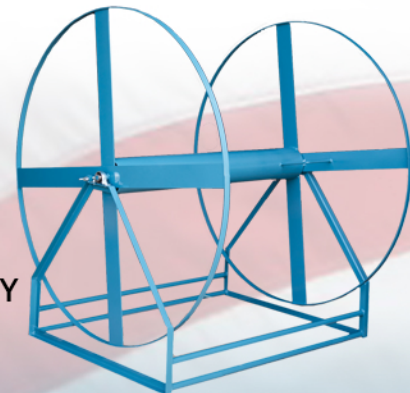
KS333-A



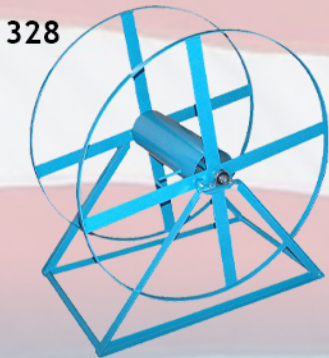
ST329



ST328



329-ASSY



328

AMERICAN MADE.

Backed by a manufacturer's 2-YEAR WARRANTY